
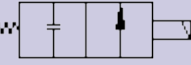

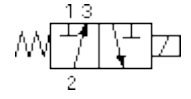


2V1 & 3V1 Series Solenoid Valve Specifications and Dimensions

Part No.	Unit Price	Valve Picture	Port Size (NPT)	Voltage Options	Electrical Entry Options	Port No/ Position/Solenoid	Cv Flow Rate	Response Time	Power Consumption	Pneumatic Symbol
2V1 1/8	\$19.75*		1/8 NPT	1=12VDC 2=24VDC 2A=24VAC 3=110VAC 4=220VAC (50/60Hz)	G=Grommet D= DIN (with LED indicator)	2/2/1 Direct Acting Normally closed Two Way Valve STACKING	0.23 22 SCFM @100 PSI	< 20 ms	3W for 40PSI 4.8W for 60 PSI 6.5W for 115 PSI	
3V1 1/8	\$19.75*		1/8 NPT	1=12VDC 2=24VDC 2A=24VAC 3=110VAC 4=220VAC (50/60Hz)	G=Grommet D= DIN (with LED indicator)	3/2/1 Direct Acting Normally closed Three Way Valve STACKING	0.05 5 SCFM @100 PSI	< 20 ms	3W for 40PSI 4.8W for 60 PSI 6.5W for 115 PSI	

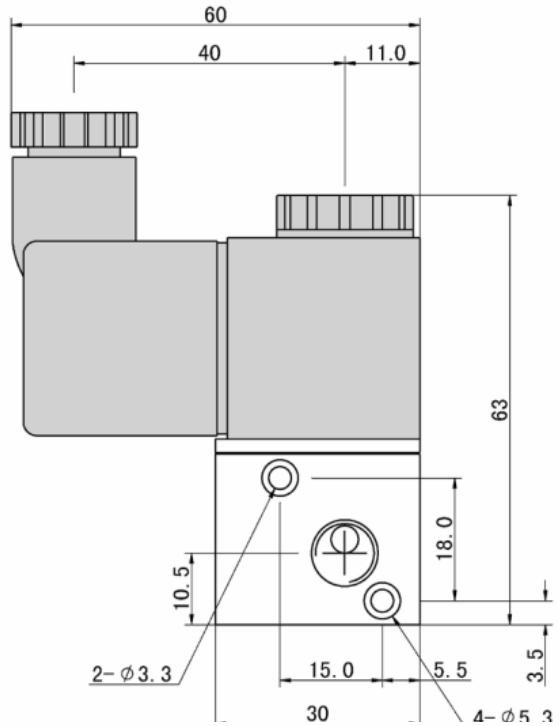
2V1 & 3V1 Series Valve Specifications

Port & Mounting	Body Ported, Stackable (Stacking Hardware Included)
Action & Motion	Direct Acting, Normally Closed, Two Position, 2 to 3 Way
Operating Pressure	28" Hg to 115 PSI (Coil Wattage Dependent)
Working Medium	40 micron filtered air, inert gas & liquid
Maximum Pressure	150 PSI
Operating Temperature	(-5 to 80 Deg. C) with non-freezing medium
Coil Insulation & Protection Class	F Class, IP65 (CE Certification)
Coil Duty Cycle	100% ED
Electrical Connection	D = DIN (with LED indicator, conduit terminal) G = Grommet (12" Lead Wire)
Body Material	Anodized Aluminum
Seal Material	NBR (Buna N)
Lubrication	Not Required

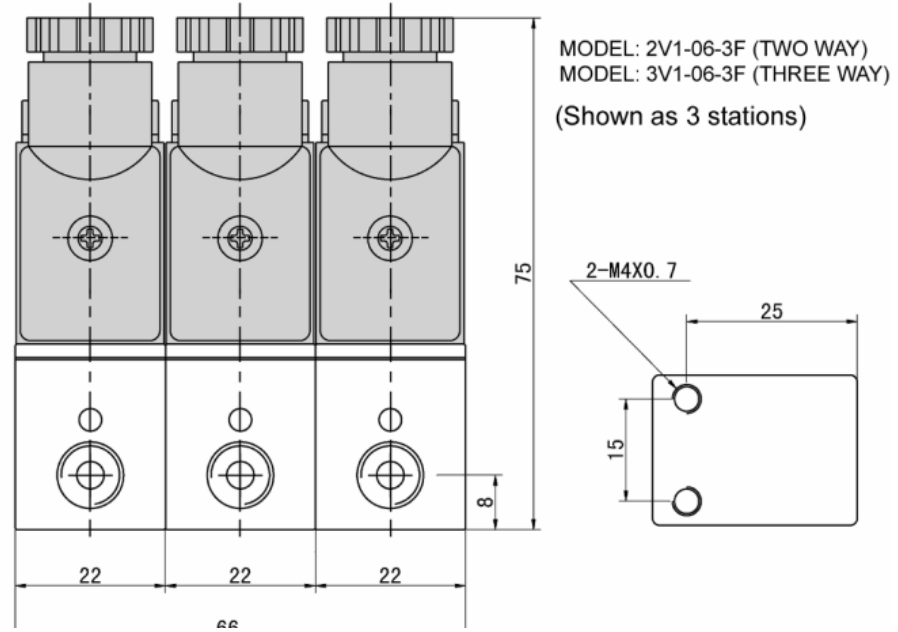
Electrical Coil Connections

For DIN Coil	To connect DIN coil: 1. Remove the Philip screw from the plastic housing and unplug it from the DIN coil. 2. From the screw opening, push the terminal block out from the plastic housing. 3. Note the 1, 2 and ground markings on underside of DIN enclosure. 4. For DC DIN Coil, Connect 1 to Positive, 2 to Negative. 5. For AC DIN Coil, connect 1 to HOT wire, 2 to Neutral wire, and if required connect ground to ground wire.
For Grommet Coil	To connect Grommet coil: 1. For DC Coil, connect one of the two wires to Positive, and the other wire to Negative. 2. For AC Coil, connect one of the two wires to HOT wire, and the other wire to neutral wire.

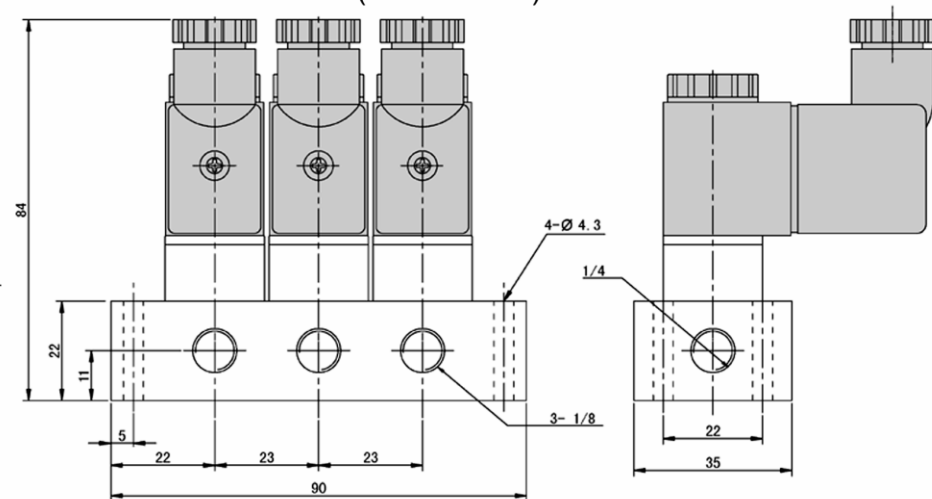
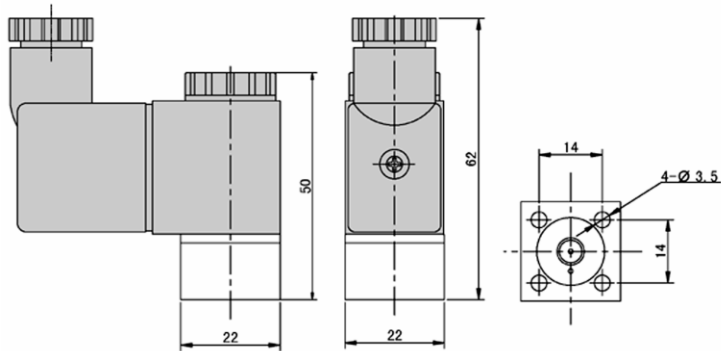
2V1 & 3V1 Series Solenoid Valve Dimensions (UNIT=MM)



MODEL: 2V1-06B (TWO WAY)
MODEL: 3V1-06B (THREE WAY)



MODEL: 2V1-06B-3F (TWO WAY)
MODEL: 3V1-06B-3F (THREE WAY) Shown as 3 stations



Assembly of 2V1 and 3V1 Solenoid Valves

Installation of direct acting 2 way and 3 way solenoid valves:
Connect the inlet and out as shown in the diagram.

